

BR-FR26-00EN

FM300

F M 3 0 0
Air Filter
Regulator



FLOWMAX

FM300 – Air Filter Regulator



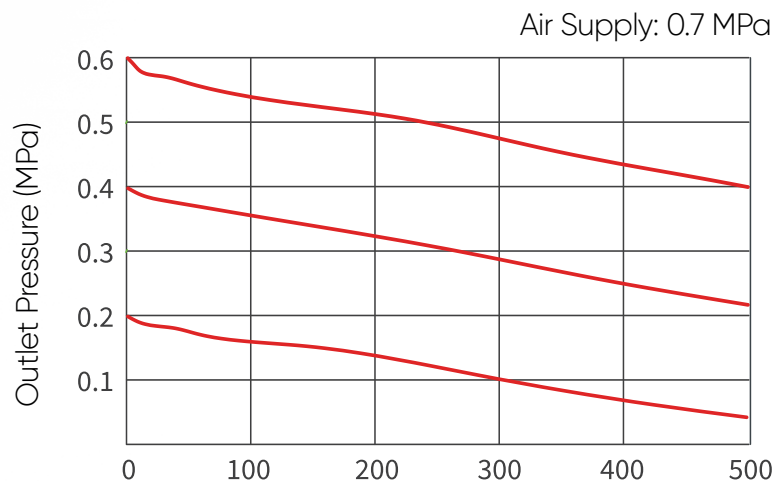
Flowmaxi FM300 is a compact air filter regulator designed to provide clean and stable compressed air required for pneumatic control systems. While its high-performance 5-micron filter element ensures particle removal, the precise regulator mechanism supports system stability.

- Adjustable outlet pressure: 0–8 bar
- Automatic drain (auto-drain) option
- Maximum inlet pressure: 16 bar
- Easy installation with dual pressure gauge ports
- Operating temperature range: -20°C to +70°C
- Removes particles from compressed air
- Excellent flow and regulation performance
- Filter and regulator in one compact unit
- Easy installation, maintenance, and replacement
- 5-micron filtration

Features

- Cleans particles in compressed air
- Excellent flow rate and regulation characteristics
- Easy installation, maintenance, and replacement
- 2 pressure gauge ports, 5-micron filter
- Automatic drain (optional)

Flow Characteristics



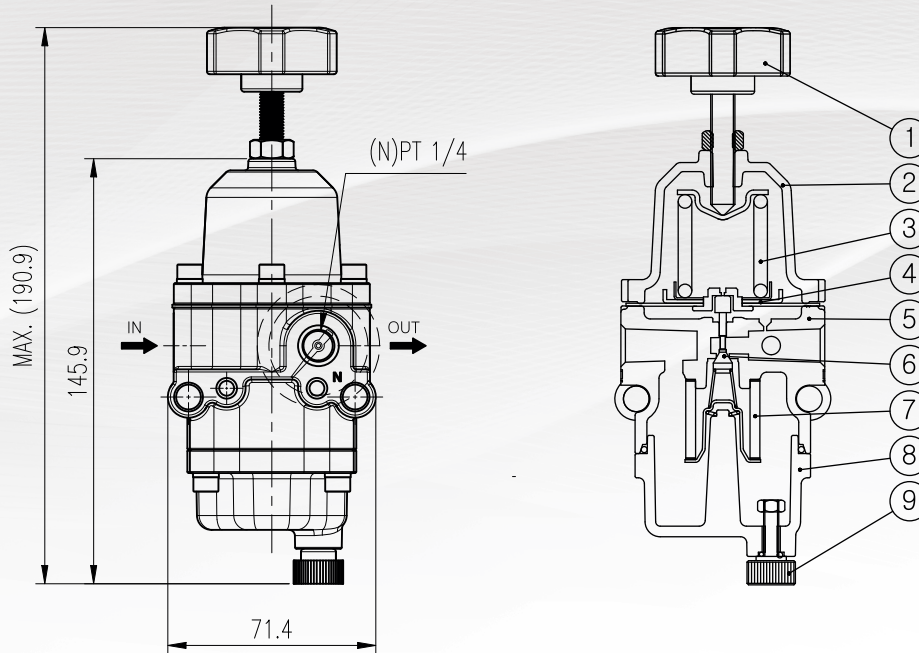
Technical Specifications

Model		FM300
Maximum Inlet Pressure		1.7 MPa
Maximum Outlet Pressure		0.84 MPa
Operating Temperature		-20°C ~ 70°C (Standard type)
Filtration Capacity		5 micron
Air Connection		NPT(PT) 1/4
Pressure Gauge Connection		NPT(PT) 1/4
Material		Die-cast Aluminum
Weight	Standard	0.6 kg
	Automatic Drain	0.6 kg

Ürün Kod Yapısı

Model		FM300						
Inlet / Outlet Port Size	1/4"	0						
	1/2"	1						
Material	Aluminum	0						
	Stainless Steel 316	5						
Air Connection Type	NPT		N					
	PT		P					
Ambient Temperature	-20°C ~ 70°C				S			
	-20°C ~ 120°C				H			
	-40°C ~ 70°C				L			
	-60°C ~ 70°C				U			
Pressure Gauge	None					0		
	Included (0~1MPa)					1		
Option	None						0	
	Automatic Drain							A

FM300 – Air Filter Regulator



Part List

NO	Part Name	Material
1	Adjustment Knob	STS + NYLON
2	Spring Housing	ALDC12
3	Adjustment Spring	HSW3
4	Diaphragm Assembly	Low / High / Ultra Low : STS + SILICONE
		Standard : STS + NBR
5	Lower Body	ALDC12
6	Shaft	C3604BD + NBR
7	Filter Element	P.E (Poly Ethylene)
8	Filter Bowl	ALDC12
9	Drain Plug	STS + NYLON

